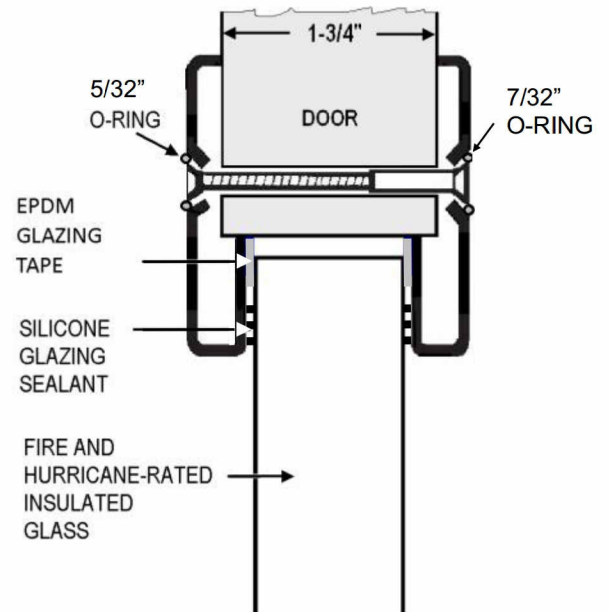
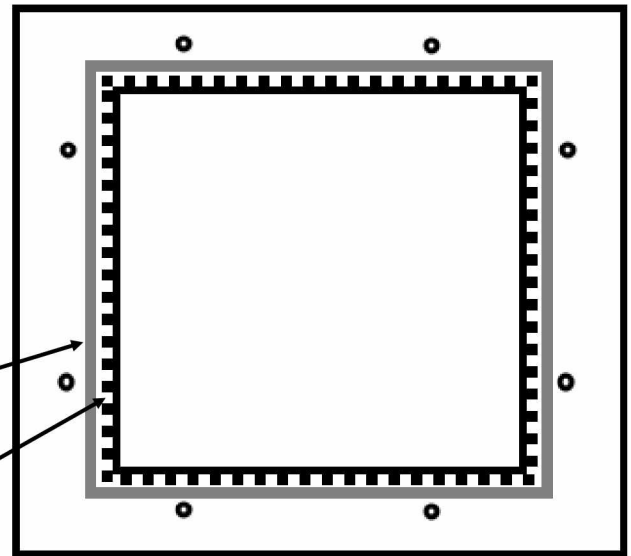


INSTALLATION INSTRUCTIONS: VLFIG-HRC-F PAK VISION LITE KITS

Installation Instructions for Models VLFIGHRC-F

Illustration below is of Vision Frame Placed Face Down in Order to Apply the Glazing Products

1. Read and follow the installation requirements of the door manufacturers.
2. Cut the hole in the door to correspond to the order size of the vision frame. Assure that the opening is plumb and square.
3. Prepare the cutout if required, per the door manufacturers installation instructions.
4. Using the vision frame mounting holes as a template, drill holes in the door for the through bolts.
5. Apply EPDM neoprene glazing Tape to the perimeter of the inside (back) of both sides of the vision frame to reduce potential moisture infiltration - see illustration.
6. Apply Dow Corning 995 silicone glazing sealant to both sides of frame in a 1/2" wide strip - see illustration. See also Manufacturer's instructions on tube.
7. Insert the corridor (exterior) side of the vision frame in the cutout.
8. Insert glazing into frame, seating firmly, using setting blocks as needed.
9. Place 7/32" O-ring on blank side of screws provided, and place 5/32" O-ring on Phillips head side of screws. Insert into the counter-sunk holes, carefully align the room side of the frame to the holes in the corridor side of the frame.
10. Screw in enough to hold frame in place for alignment, then insert the other screws lightly (with O-rings). Tighten the screws alternately in a criss-cross pattern to avoid putting more pressure on one side than the other. Do not tighten to the point of deflecting the frame.



Florida Building Code File # FL13187



INSTALLATION INSTRUCTIONS FOR VLFIG-HRC-F PAK FIRE AND HURRICANE-RATED VISION LITE

HEADQUARTERS: 9702 NEWTON AV S, BLOOMINGTON, MN 55431 PH: 800-554-6077 FAX: 952-835-2218

EMAIL: SALES@ACTIVARCPG.COM WWW.ACTIVARCPG.COM MANUFACTURING: COMMERCE CA & BLOOMINGTON MN

141-315

ACPG WAREHOUSES: LANCASTER PA, ATLANTA GA, CHICAGO IL, DALLAS TX, FORT MYERS FL, SEATTLE WA, FARGO ND, OMAHA NE

9/14/2016